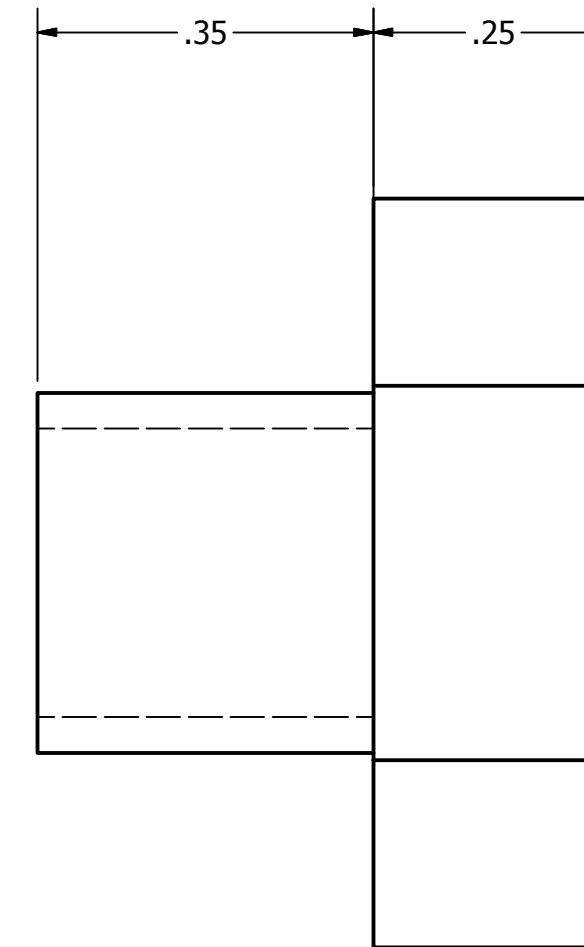
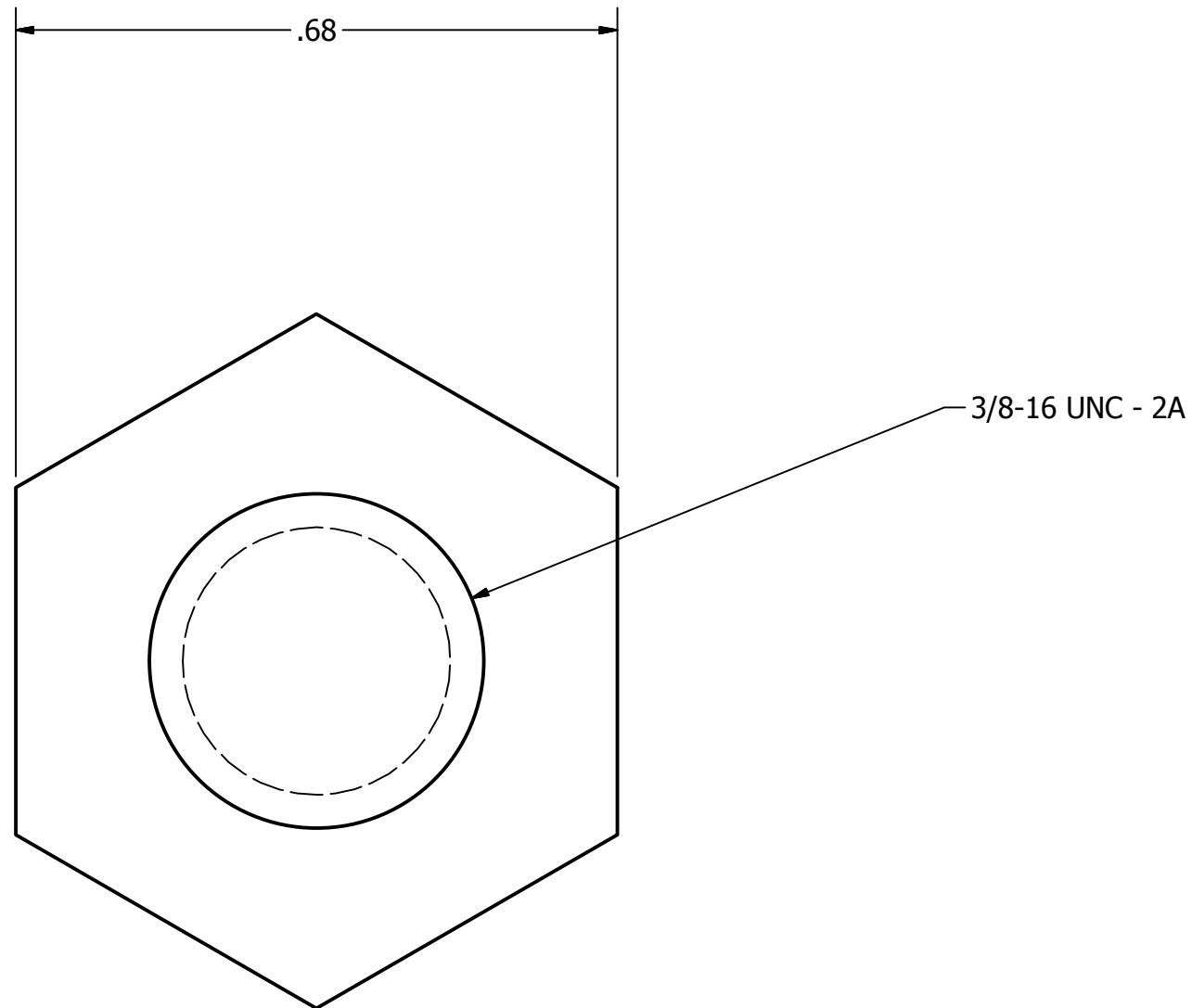
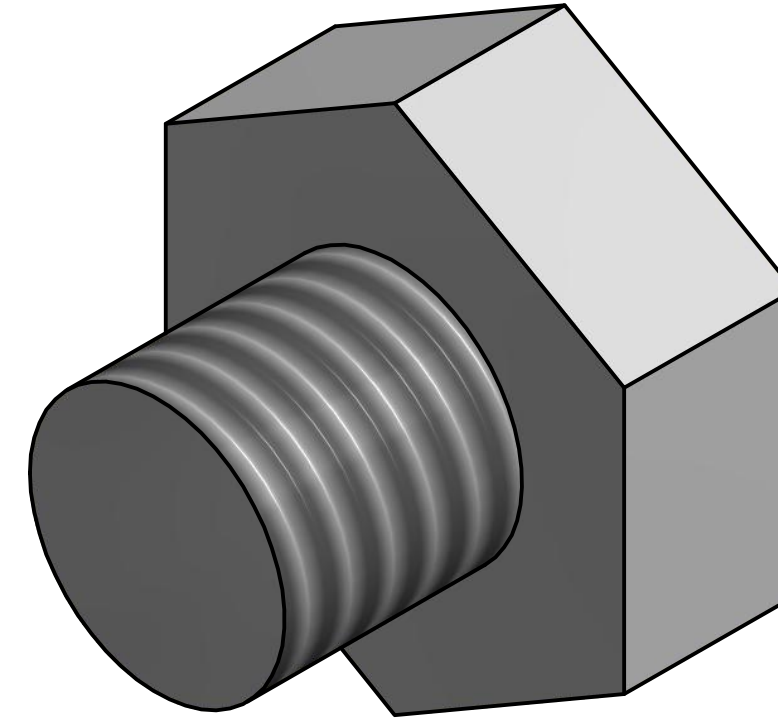


Note:  
Material to be ABS Plastic



DRAWN Administrator	1/3/2013	TITLE		
CHECKED				
QA				
MFG				
APPROVED		SIZE C	DWG NO nut and bolt	REV
		SCALE	SHEET 1 OF 1	